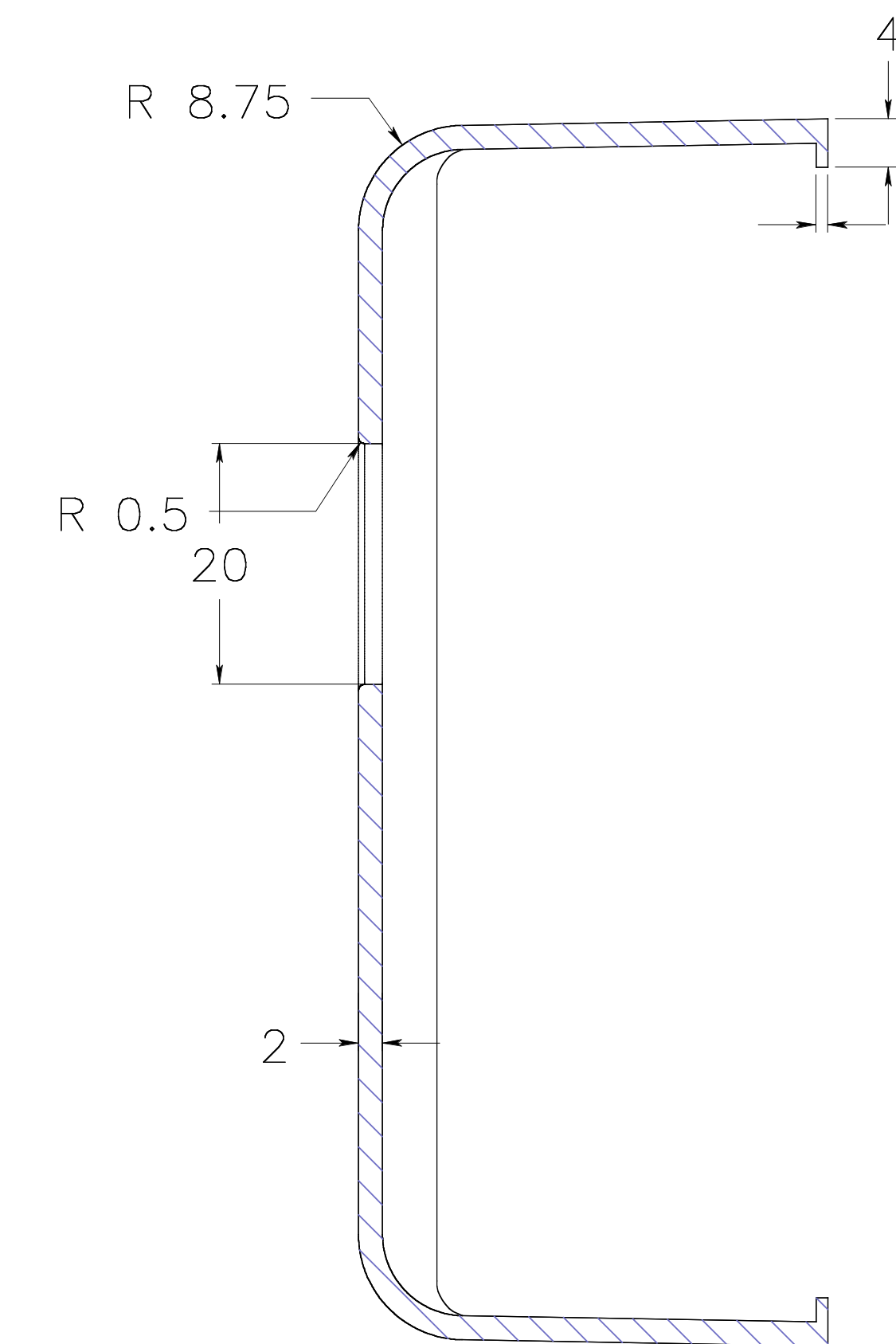
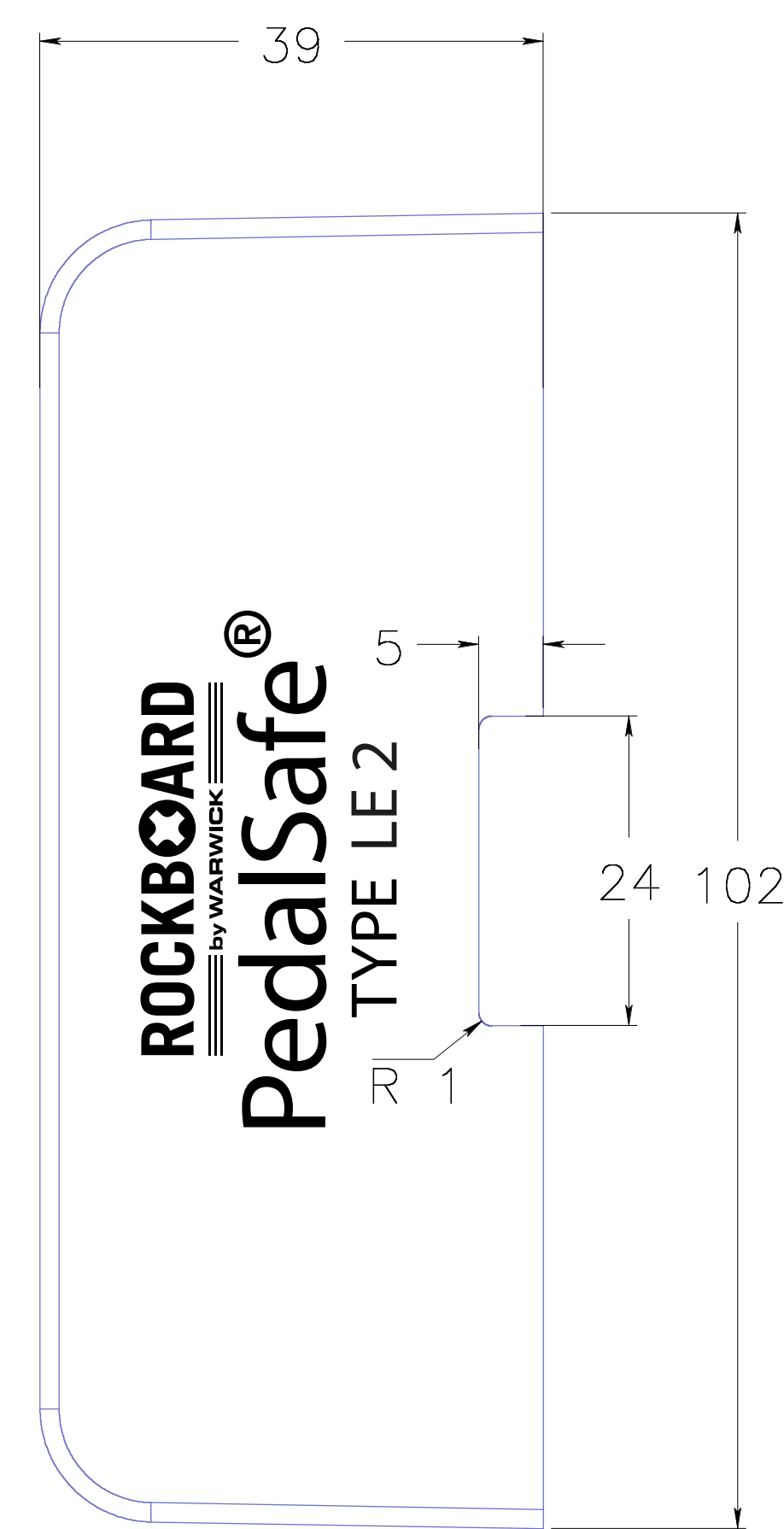
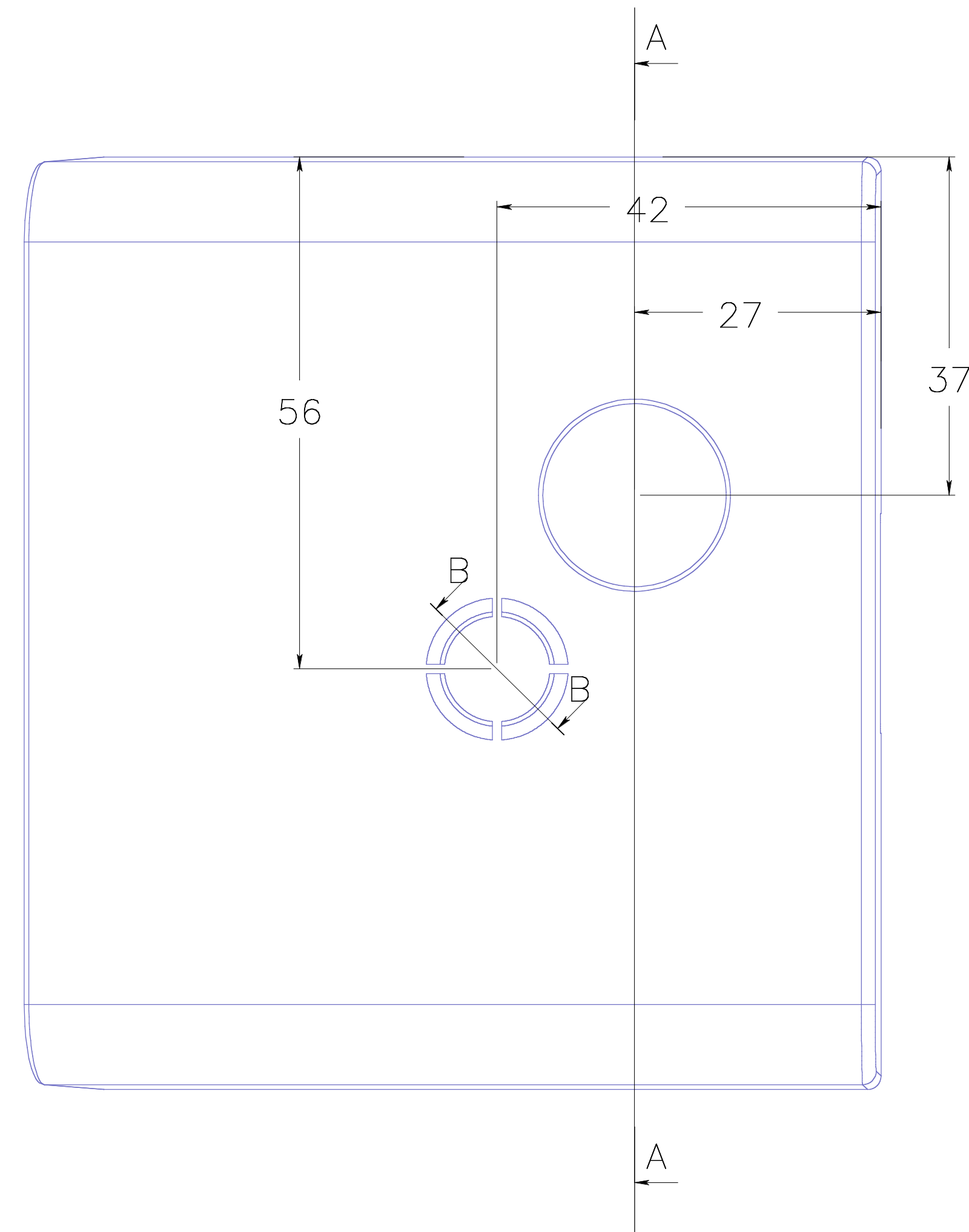
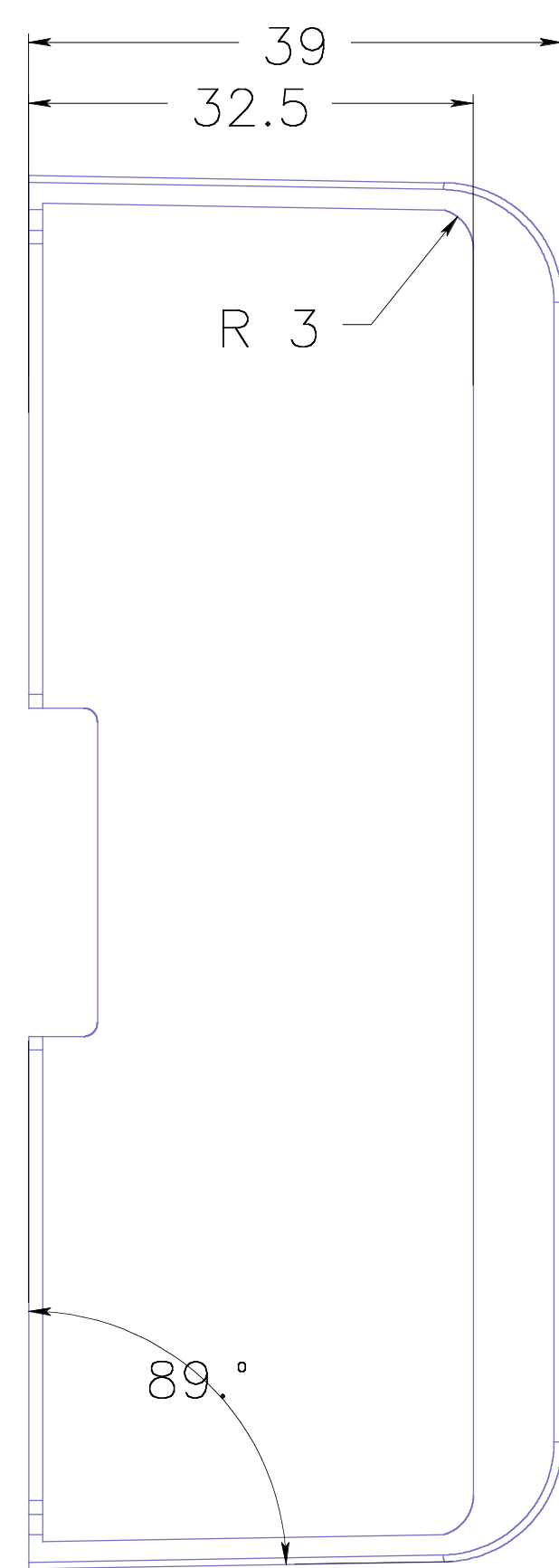
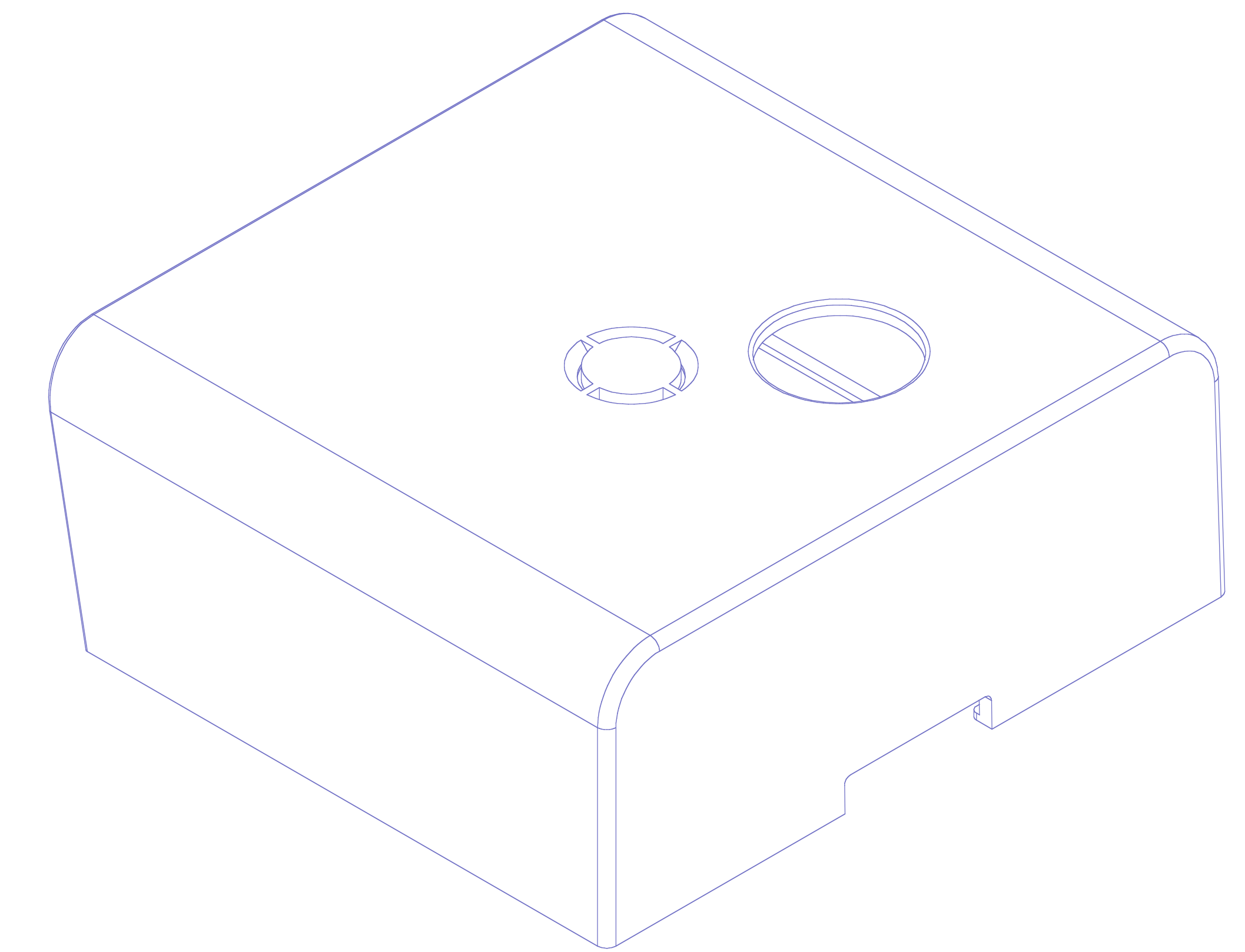
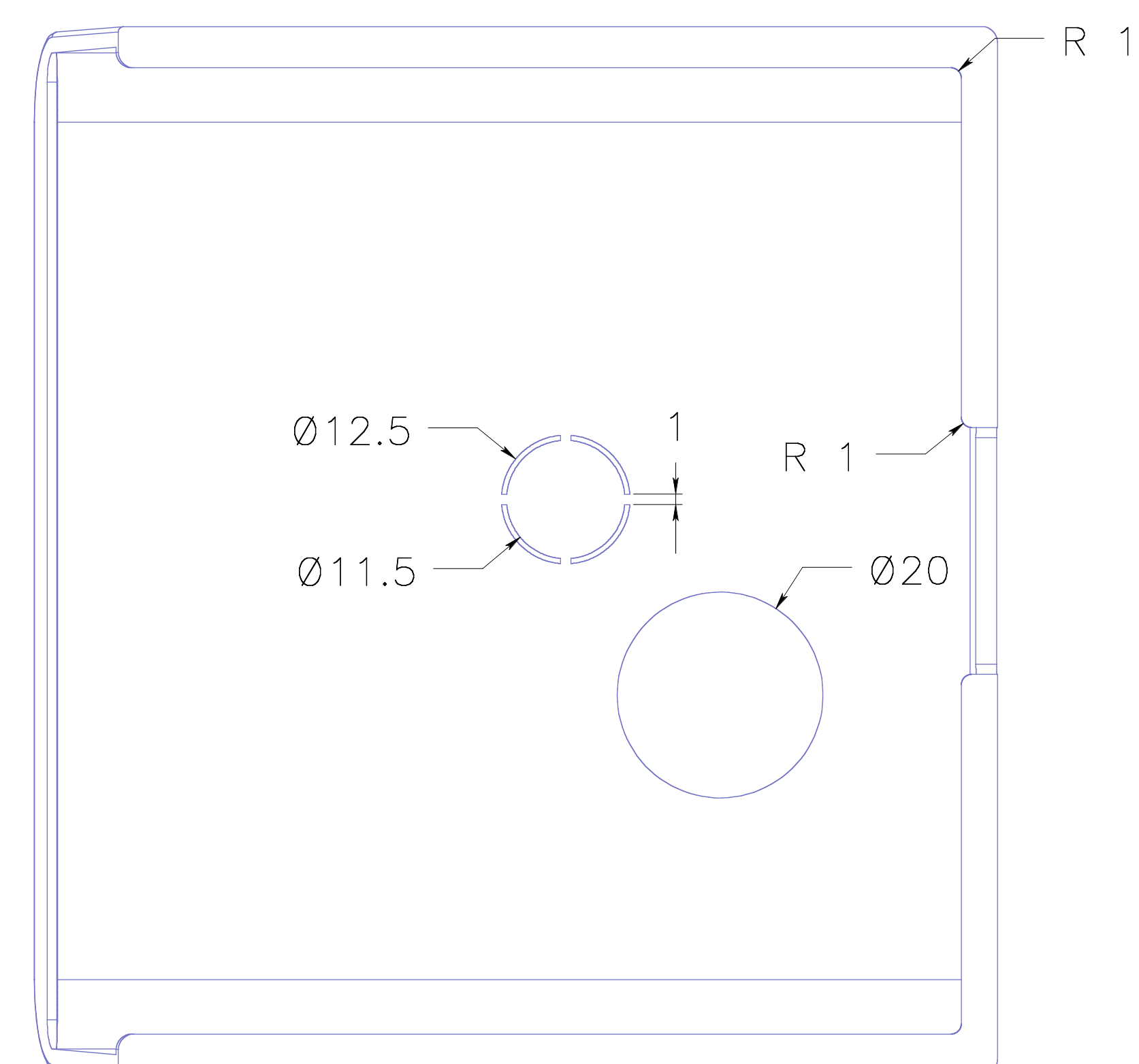
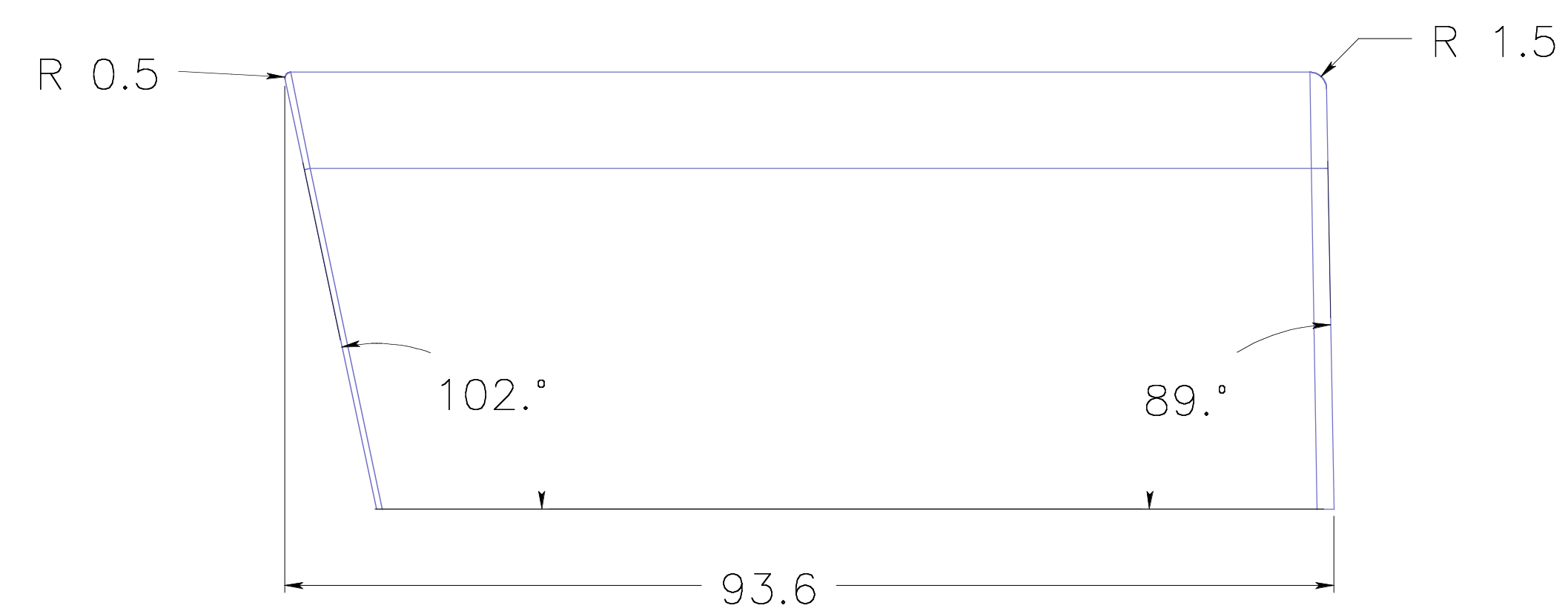


section BB



section AA



ROCKBOARD PEDALSAFE TYPE LE 2