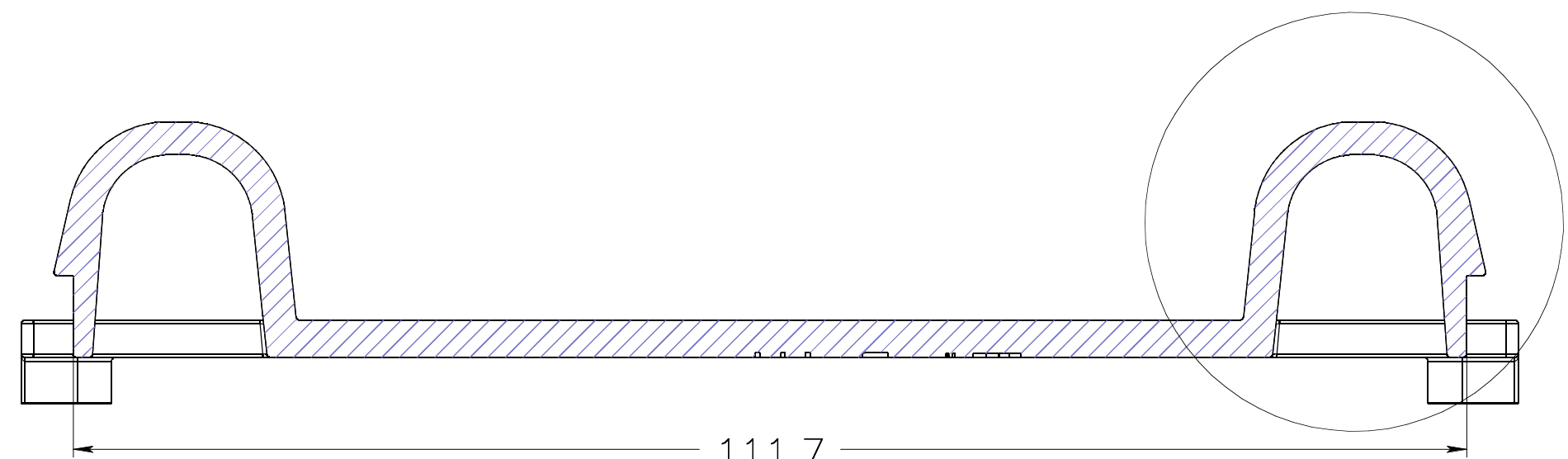
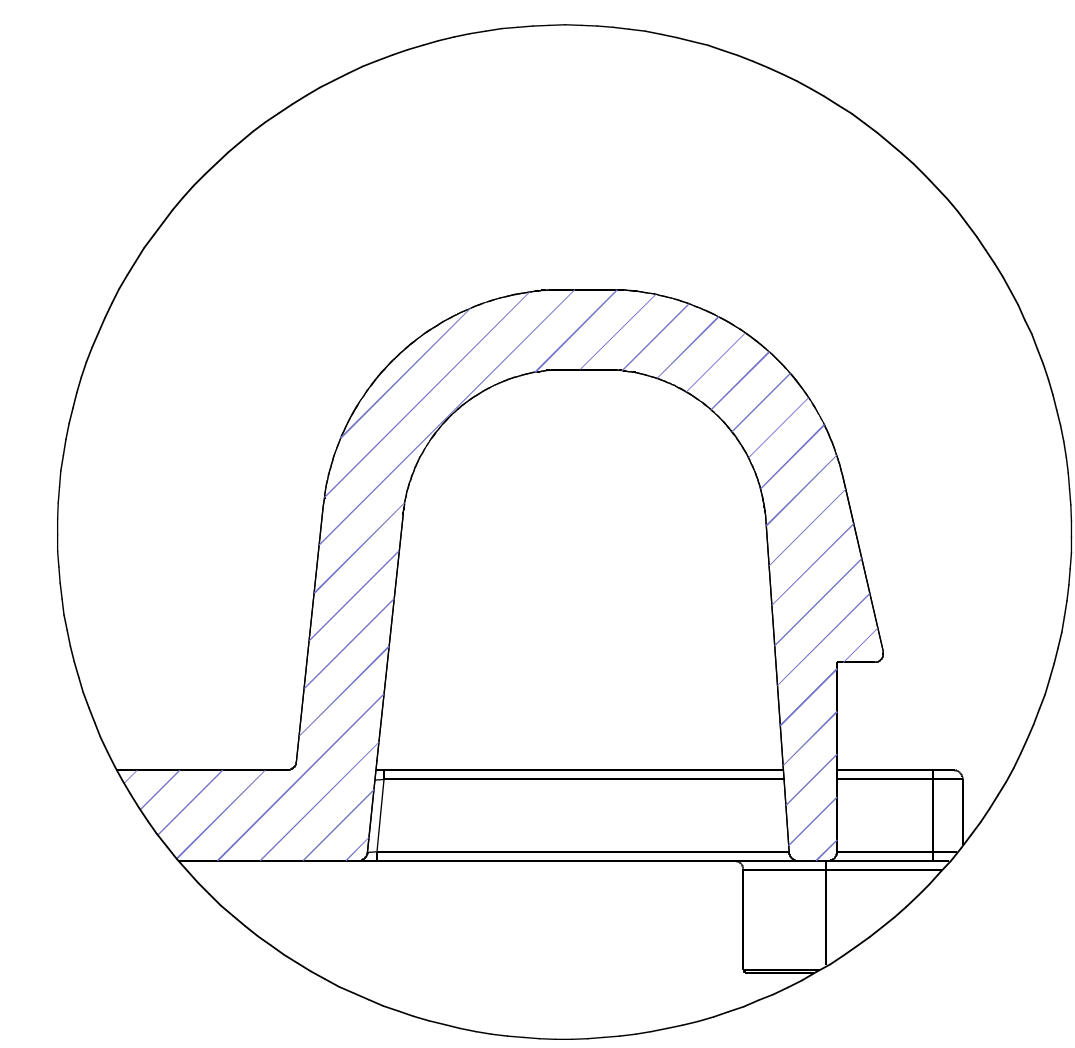


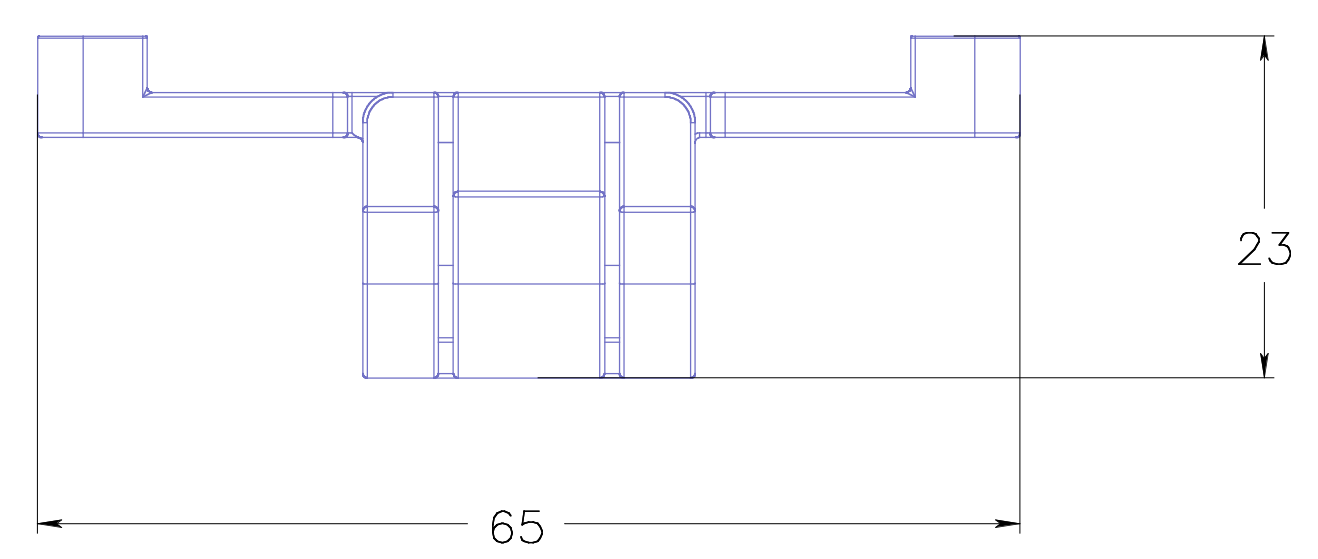
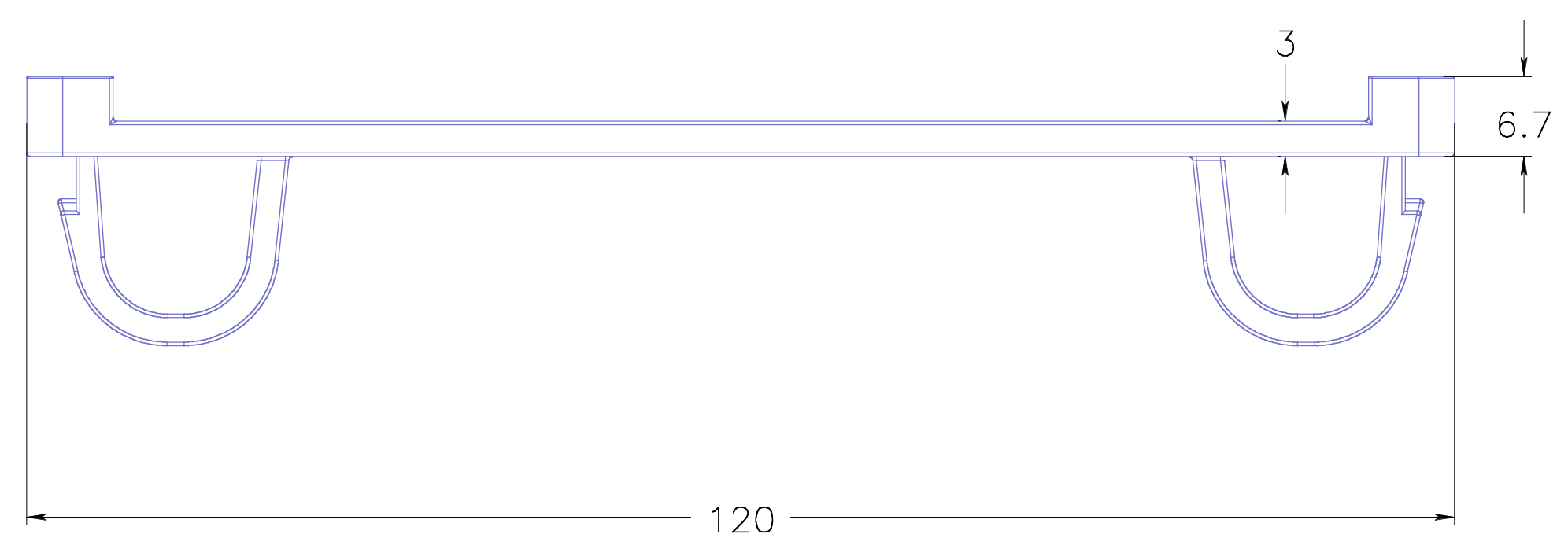
section AA



section BB



detail C



ROCKBOARD QUICKMOUNT TYPE E

