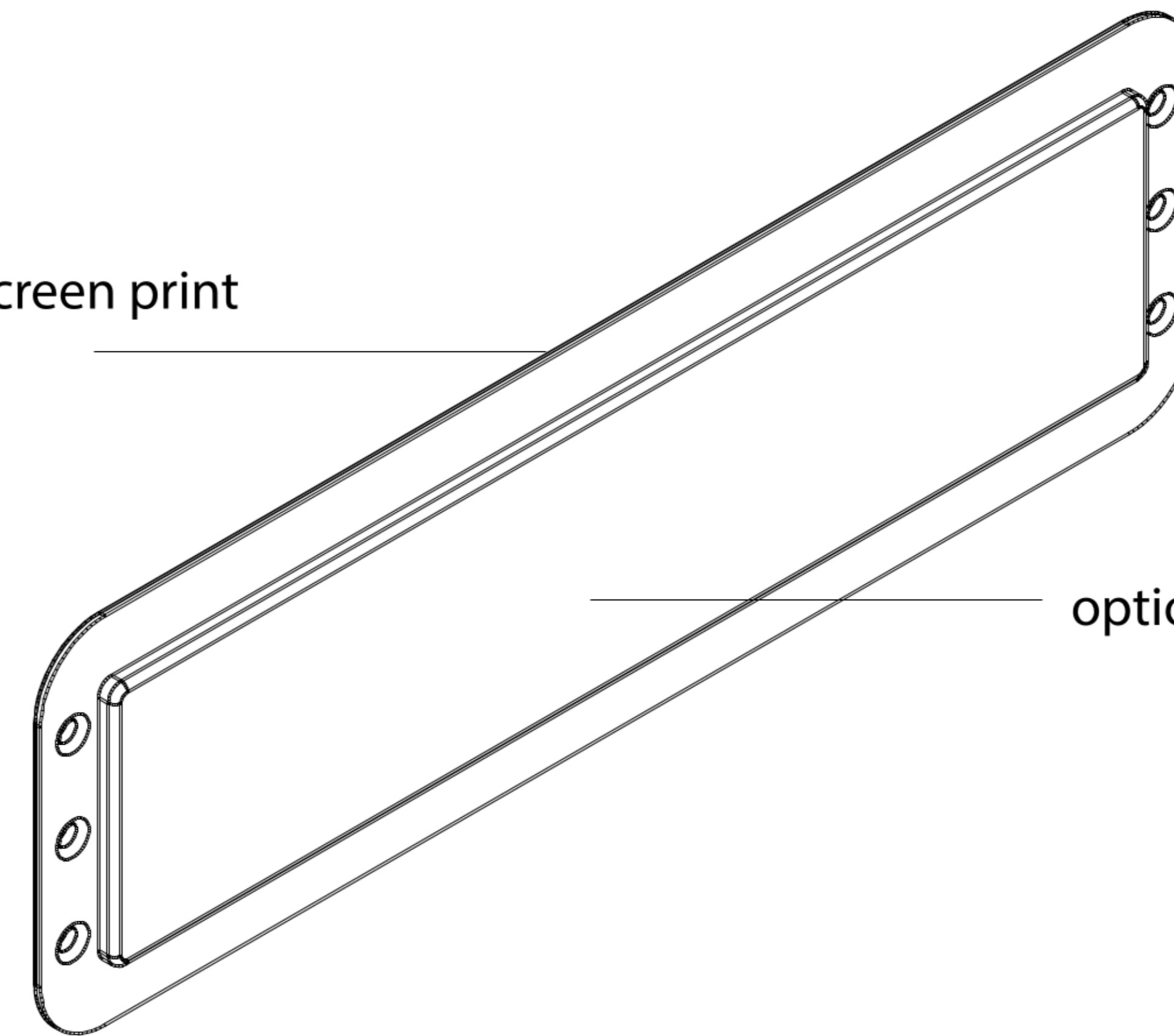




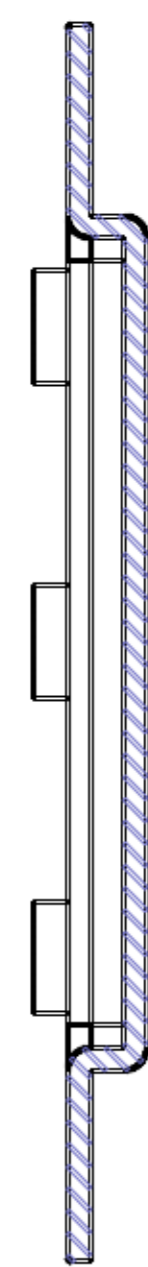
optional silkscreen print
at rear



optional silkscreen print
at front

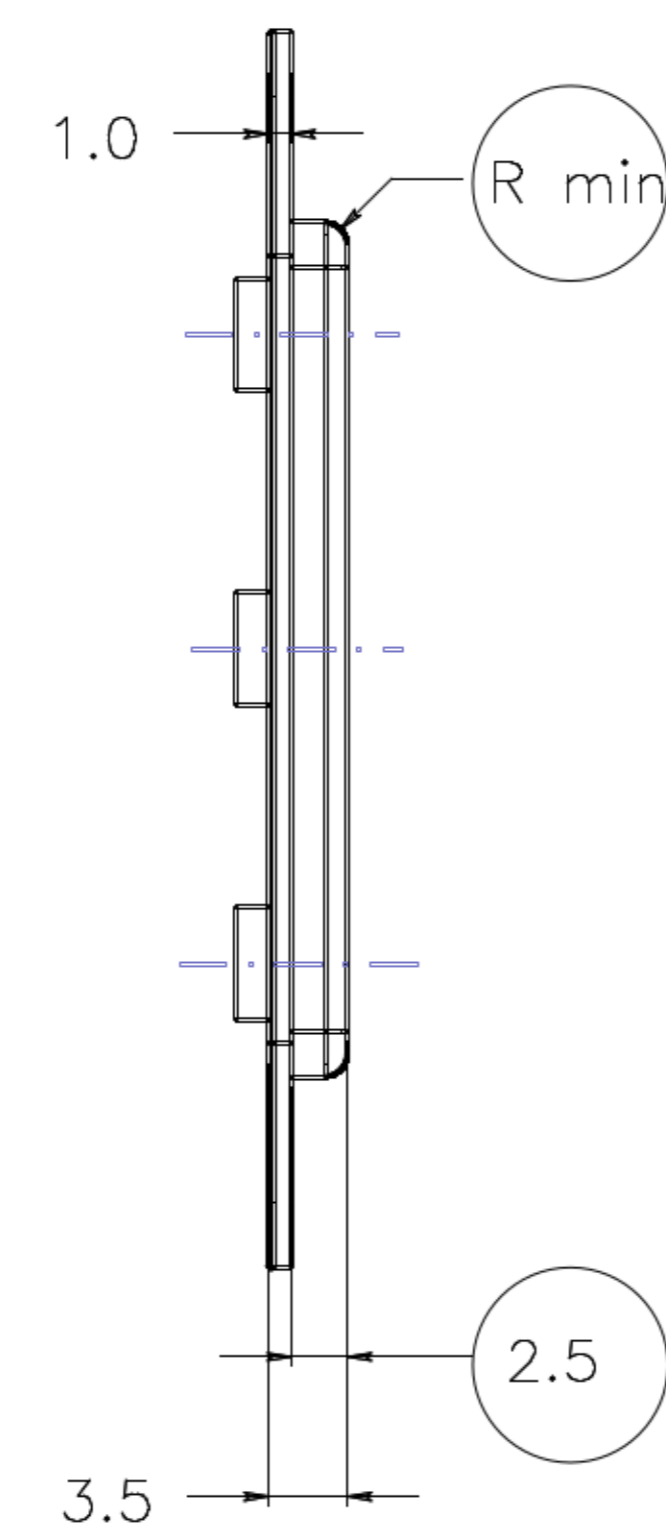
NOTE: The dimensions in the circles must be strictly observed.

Section AA

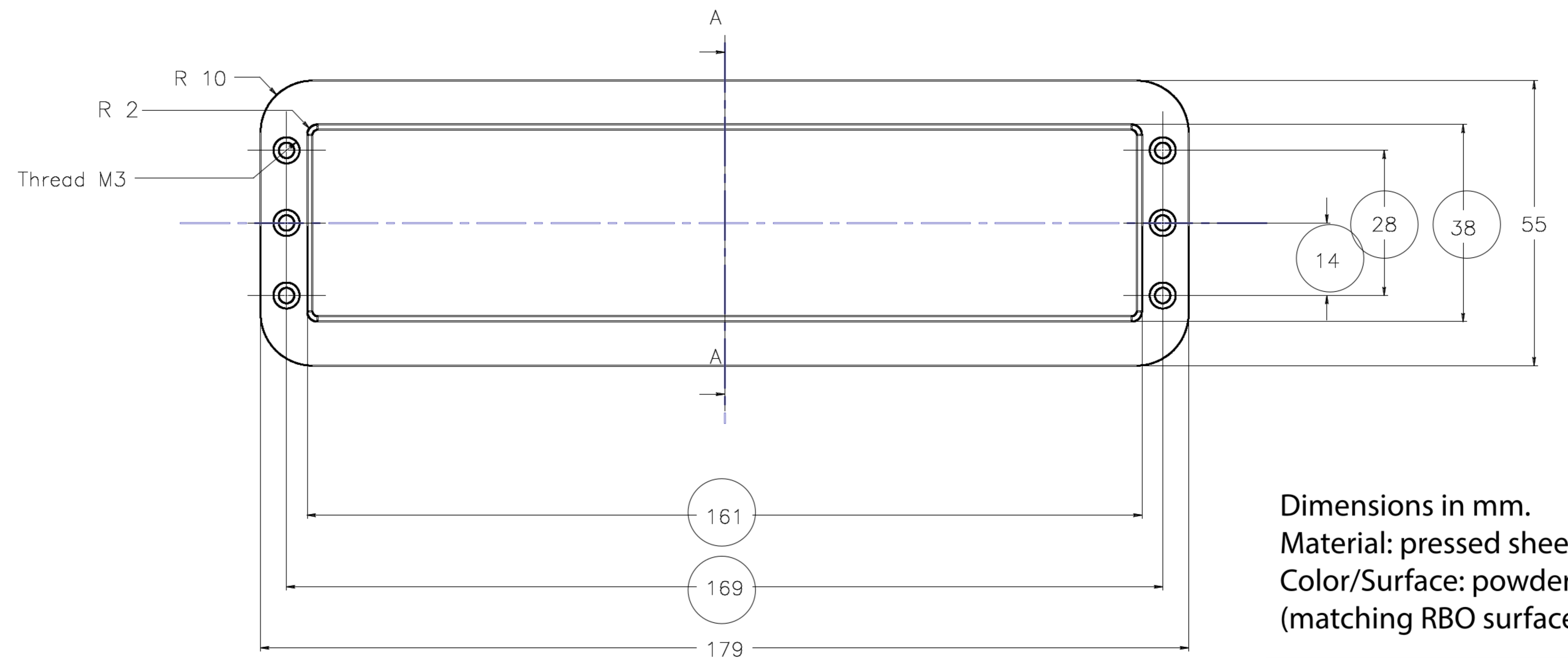


(3-1)

Scale 3:1



Scale 2:1



Dimensions in mm.
Material: pressed sheet metal 1.0 mm
Color/Surface: powdercoated black
(matching RBO surface)



ROCKBOARD SLOT COVER